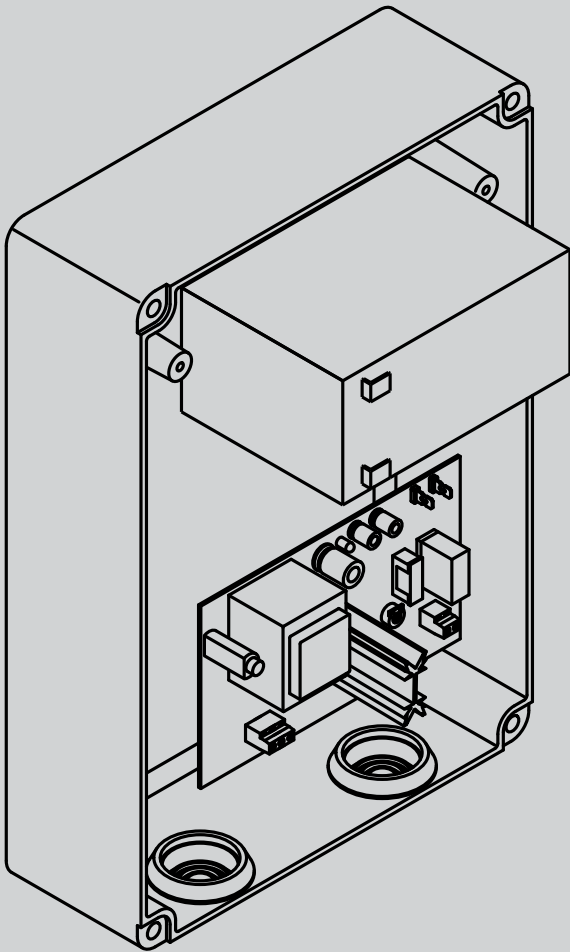




## BUFFER BATTERY KIT



INSTALLATION AND USER'S MANUAL

# STOPPY BAT

# BFT

D8T1348\_03 31-07-12



AZIENDA CON SISTEMA DI GESTIONE  
INTEGRATO CERTIFICATO DA DNV  
= UNI EN ISO 9001:2008 =  
UNI EN ISO 14001:2004

## 1) GENERAL OUTLINE

STOPPY-BAT mod. buffer battery kit.

The use of this accessory prevents the anti-transiting bollard from lowering spontaneously when the mains power supply is off.

NOTE: When the mains power supply is off, no opening or closing manoeuvres can be carried out.

The kit includes:

- 1 buffer battery
- 1 battery-charger board
- Fitting instruction manual.

## 2) SPECIFICATIONS FOR STOPPY-BAT BOARD AND BATTERIES

Power supply voltage: .....230V~ ±10% 50Hz\*

Max absorbed power: ..... 12 VA

Battery: ..... 12V (7,2Ah)

Charge voltage: ..... 13.8V=

Max charge current: ..... 10.5A

Service with power supply off.....: from 6h (1 Stoppy) to 2h (4Stoppy)

(\* other voltages available on request)

## 3) FITTING

All the fitting and connecting operations must be carried out by qualified personnel.

To fit this accessory, proceed as follows:

- Disconnect the mains power supply.
- Carry out the connections as shown in the diagram (Fig.1).

Connect the board power supply to the same power supply line for the Perseo control panel.

Use two wires having a minimum cross section of 1 sq mm (maximum length 5 m) to connect outputs:

V. OUT+ to terminal 13 on the Perseo panel

V. OUT- to terminal 14 on the Perseo panel.

The battery poles are to be connected to the appropriate Faston terminals.

Once a year, check that the anti-transiting bollard and buffer battery operate correctly.

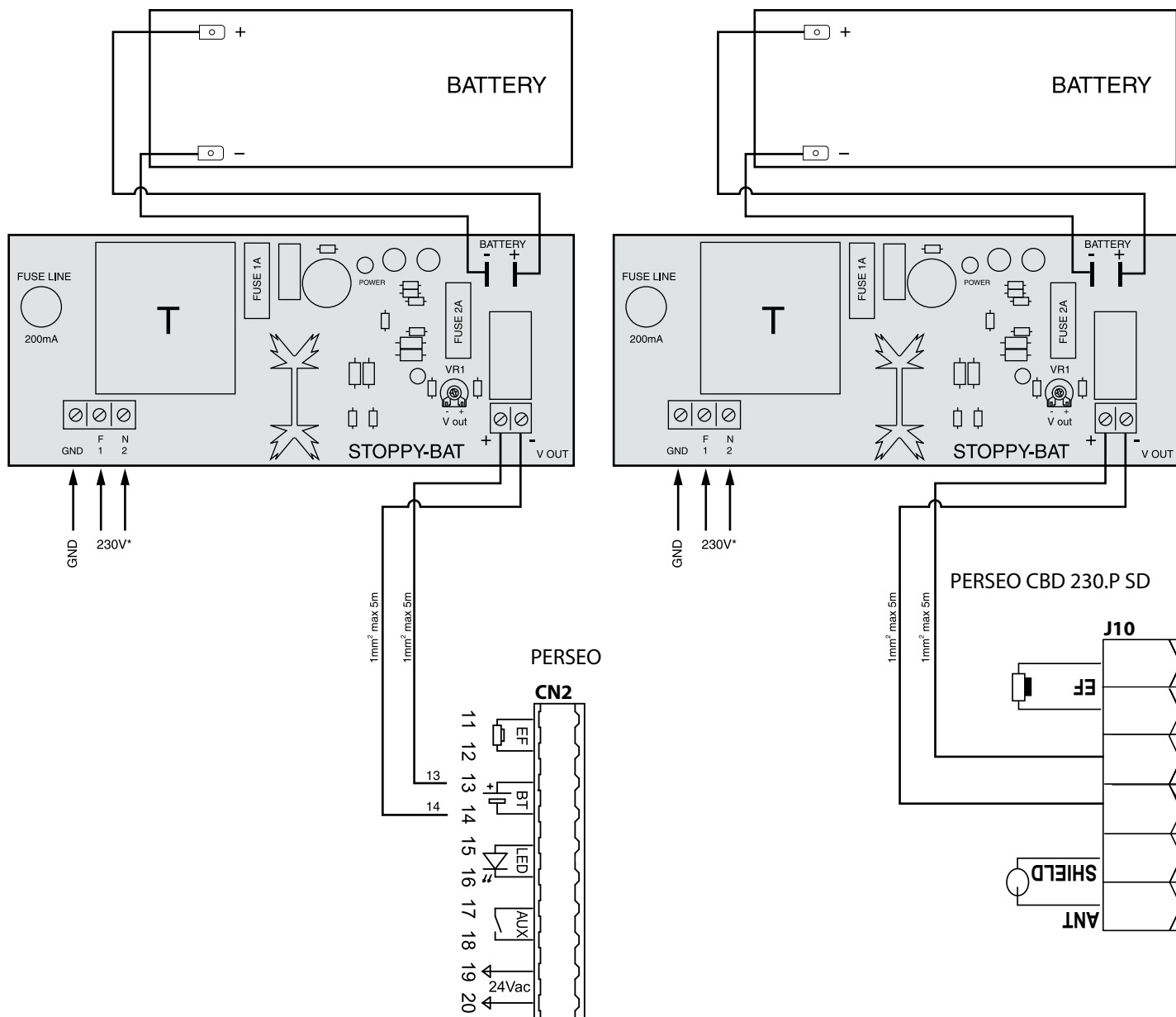
A value of about 13.8V= must be obtained after disconnecting the buffer battery and measuring the voltage present at the ends of the Faston terminals.

In the case where the value needs to be regulated, operate the VR1 trimmer.

For battery disposal, refer to the current standards.

The descriptions and illustrations contained in the present manual are not binding. The Company reserves the right to make any alterations deemed appropriate for the technical, manufacturing and commercial improvement of the product, while leaving the essential product features unchanged, at any time and without undertaking to update the present publication.

Fig. 1



(\* other voltages available on request)

**BFT S.P.A.**  
Via Lago di Vico 44, 36015 Schio (Vi) - **Italy**  
tel. +39 0445 69 65 11 / fax. +39 0445 69 65 22  
www.bft.it / e-mail: info@bft.it

**AUTOMATISMES BFT FRANCE**  
13 Bd.L. Michelet, 69008 Lyon - **France**  
tel. +33 (0)4 78 76 09 88 - fax +33 (0)4 78 76 92 23  
e-mail: contacts@automatismes-bft-france.fr



**BFT Torantriebssysteme GmbH**  
Faber-Castell-Straße 29  
D - 90522 Oberasbach - **Germany**  
tel. +49 (0)911 766 00 90 - fax +49 (0)911 766 00 99  
e-mail: service@bft-torantriebe.de

**BFT Automation UK Ltd**  
Unit 8E, Newby Road  
Industrial Estate Hazel Grove, Stockport,  
Cheshire, SK7 5DA - **UK**  
tel. +44 (0) 161 4560456 - fax +44 (0) 161 4569090  
e-mail: info@bftautomation.co.uk

**BFT BENELUX SA**  
Parc Industriel 1, Rue du commerce 12  
1400 Nivelles - **Belgium**  
tel. +32 (0)67 55 02 00 - fax +32 (0)67 55 02 01  
e-mail: info@bftbenelux.be

**BFT-ADRIA d.o.o.**  
Obrovac 39  
51218 Dražice (Rijeka)  
Hrvatska - **Croatia**  
tel. +385 (0)51 502 640 - fax +385 (0)51 502 644  
e-mail: info@bft.hr

**BFT Polska Sp. z o.o.**  
ul. Kolacińska 35  
03-171 Warszawa - **Poland**  
tel. +48 22 814 12 22 - fax +48 22 814 39 18  
e-mail: biuro@bft.com.pl

**BFT USA BFT U.S., Inc.**  
6100 Broken Sound Pkwy. N.W., Suite 14  
Boca Raton, FL 33487 - **U.S.A.**  
T: +1 561.995.8155 - F: +1 561.995.8160  
TOLL FREE 1.877.995.8155 - info.bft@bft-usa.com

**BFT GROUP ITALIBERICA DE AUTOMATISMOS S.L.**  
**Pol. Palou Nord,**  
Sector F - C/Cami - Can Basa nº 6-8 08401 Granollers -  
**(Barcelona) - Spain**  
tel. +34 938 61 48 28 - fax +34 938 70 03 94  
e-mail: bftbcn@bftautomatismos.com

**P.I. Comendador - C/**  
informática, Nave 22 - 19200 Azuqueca de henares  
**(Guadalajara) - Spain**  
tel. +34 949 26 32 00 - fax +34 949 26 24 51  
e-mail: administracion@bftautomatismos.com

**BFT SA-COMERCIO DE AUTOMATISMOS E MATERIAL DE SEGURANÇA**  
Urbanizacão da Pedrulha Lote 9 - Apartado 8123,  
3020-305 COIMBRA - **PORTUGAL**  
tel. +351 239 082 790 - fax +351 239 082 799  
e-mail: geral@bftportugal.com